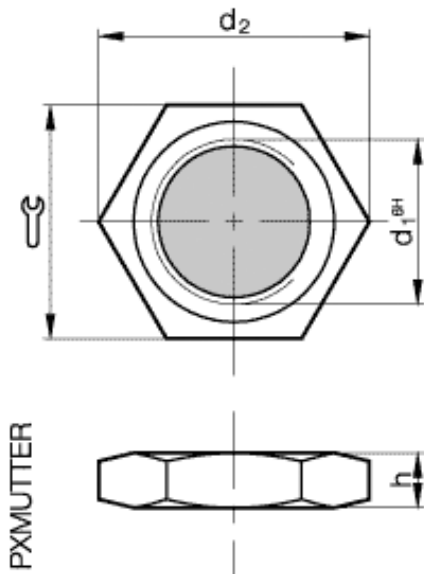


Accessories: Mounting unit Mutter M30x1.5, Messing



Common Data

Version
Usable with

Nut
sensors with thread M30x1.5

Mechanical Data

Measurements W x H x D or Dia x D
Material

SW 36, h=5mm
nickel plated brass

Datasheet number::

Definitions see general catalog.
If not otherwise noted, ratings according to
IEC 60947-5-2 (DIN EN60947-5-2)

Balluff GmbH
Schurwaldstrasse 9
73765 Neuhausen a.d.F.
Phone (07158) 173-0 Fax (07158) 5010

Datenblatt by CD-ROM - 04/2007

BALLUFF
sensors worldwide